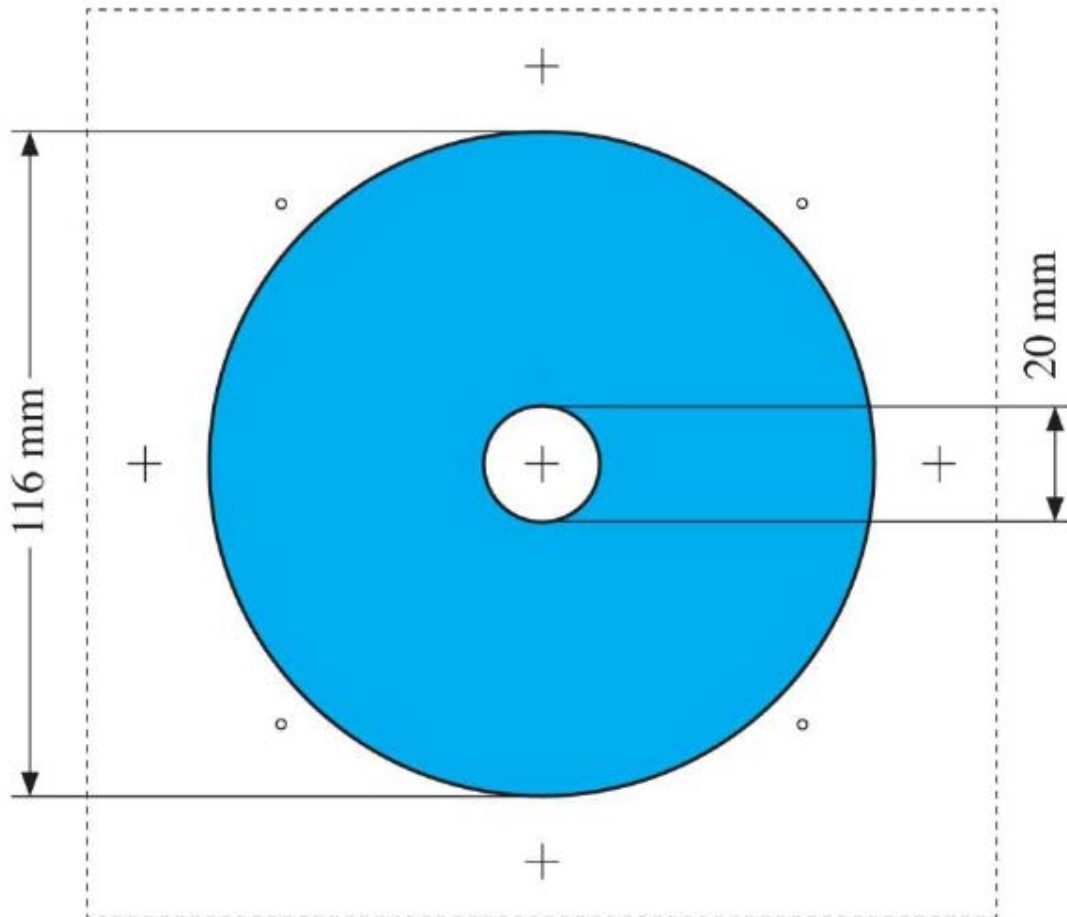


Print Area Specification				
Europe	DVD/BD	EDS005	Issue 4	Jan 2010

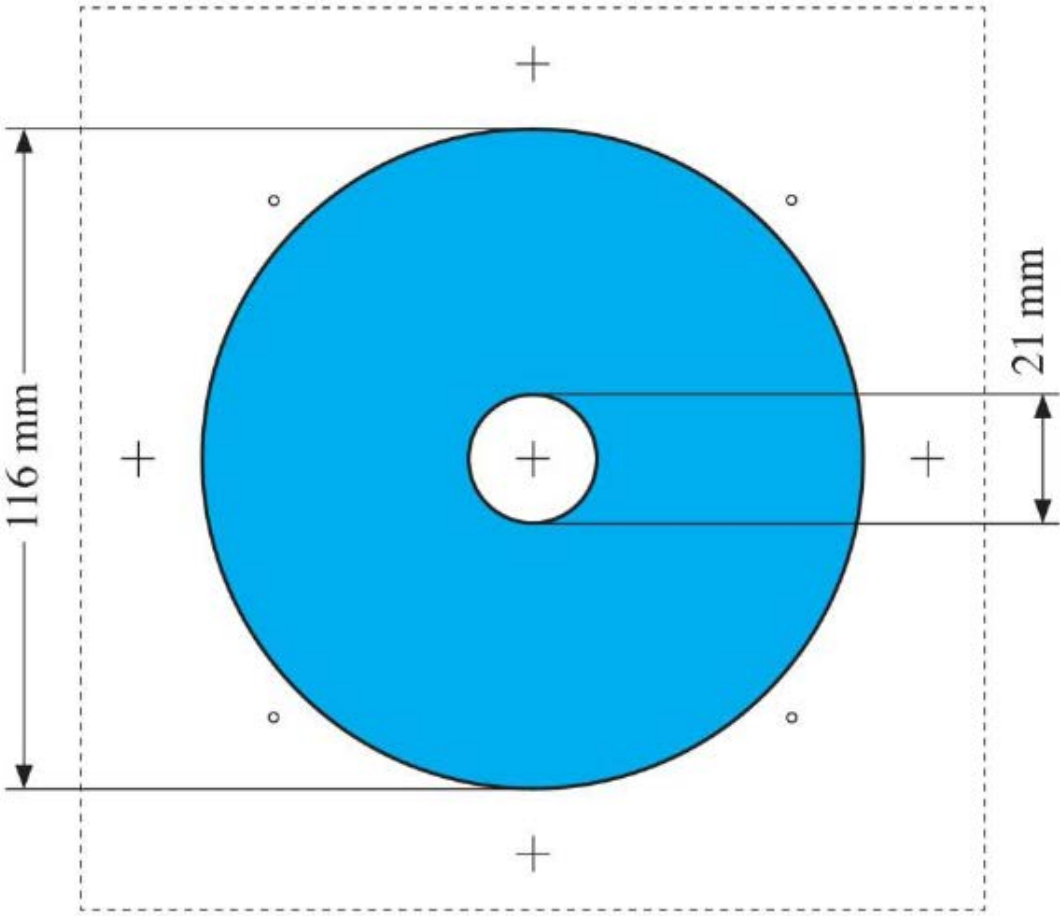
DVD Print Area Specification - DVD5 and DVD9



General notes:

The shaded area is the maximum allowable print area.

BD Print Area Specification - BD25 and BD50



General notes:

The shaded area is the maximum allowable print area.

1- or 2-colour decorations without a white blackout

Please take into consideration, that metallization in matrix area (\varnothing 45mm) has different shade. All decoration elements placed in this area will have a different background.



Examples:



correct



not correct



correct



not correct