

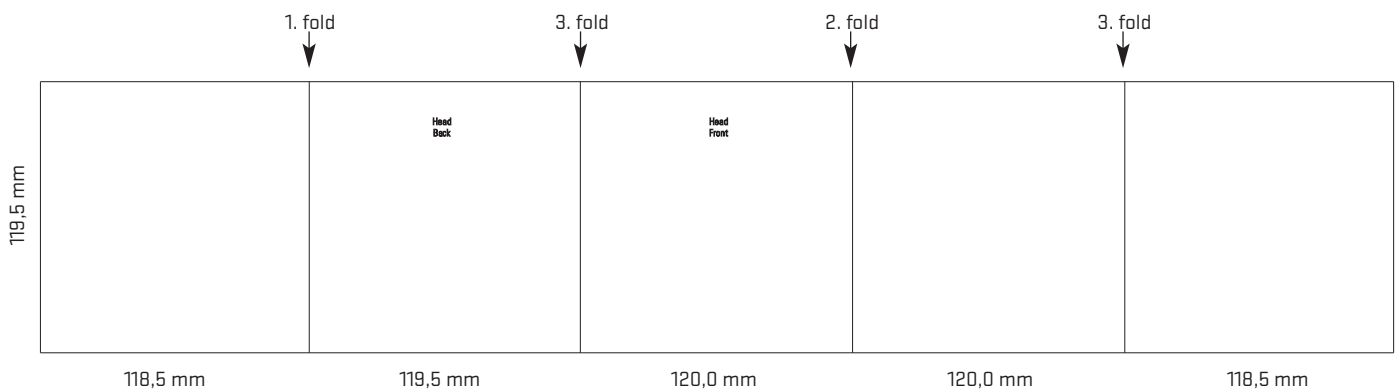
## Template for

## Audio - Booklet

Template-No.: 1584

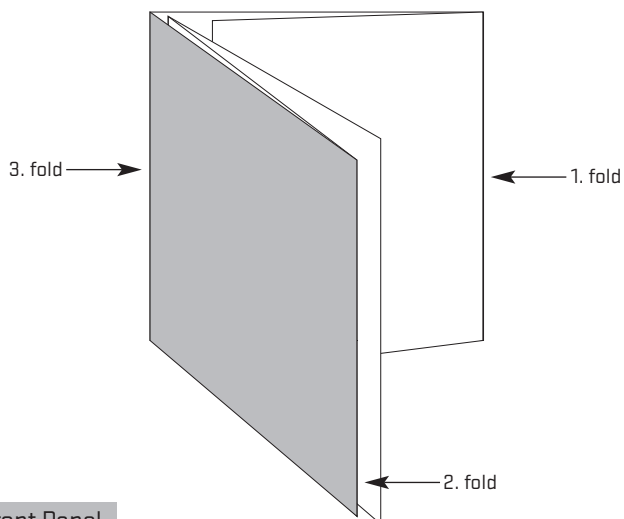
Material: 160 gsm, GC1  
Open format: 596,5 x 119,5 mm  
Closed format: 120,0 x 119,5 mm  
Fold: 2 parallel fold / gate fold  
Number of pages: 10

### Measurement input



scaling: 30 % • bleed: 3 mm

### Folding layout



### Printing area

