

Template for

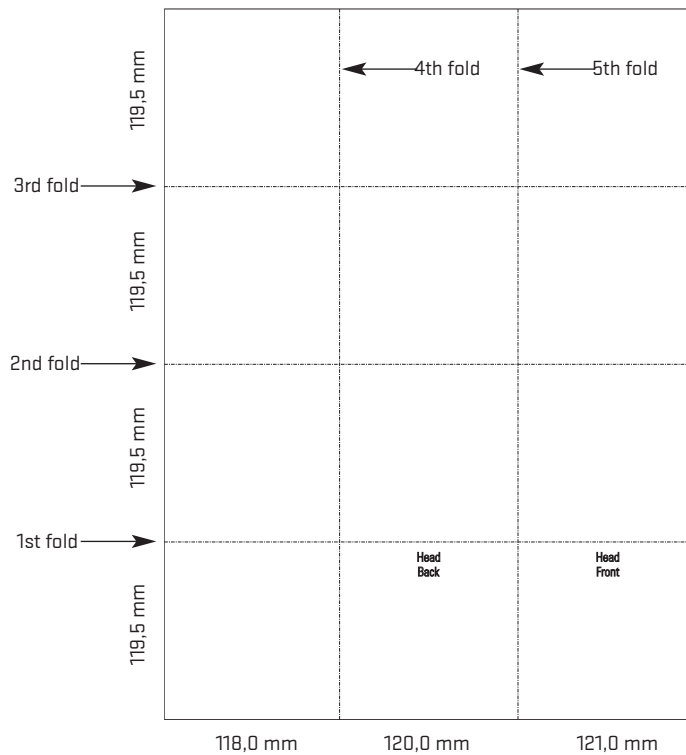
Audio - booklet

Template-No.: 0106

Open format: 359,0 x 478,0 mm
Closed format: 121,0 x 119,5 mm
Number of pages: 24
Fold: booklet fold
Material: 100 gsm, gloss art paper as standard

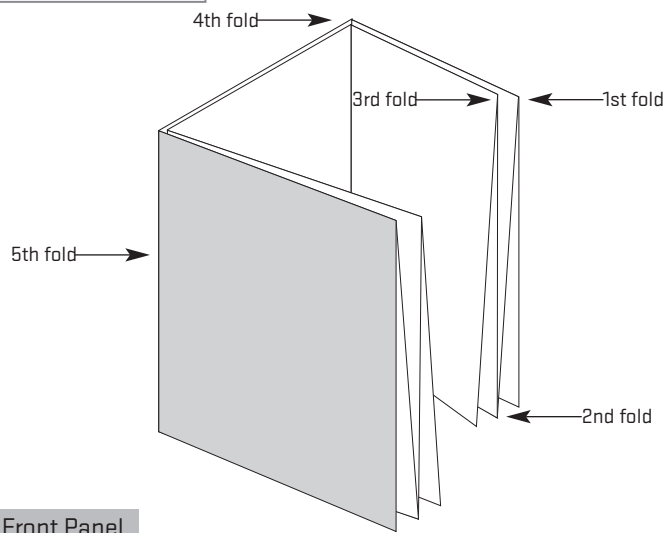
Please find the related EPS and layout files attached to this PDF.

Measurement input



scaling: 22 % • bleed: 3 mm

Folding layout



Printing area

