

Template for

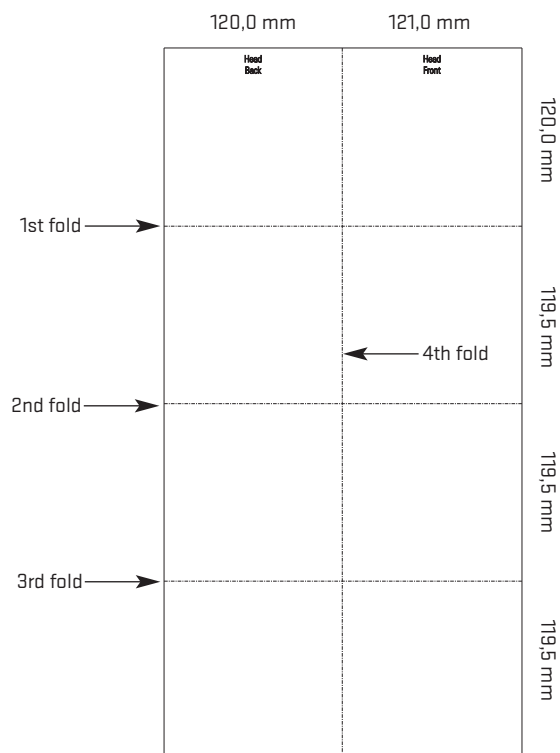
Audio - Booklet

Template-No.: 0081

Open format:	241,0 x 478,5 mm
Closed format:	121,0 x 120,0 mm
Number of pages:	16
Fold:	booklet fold
Material:	100 gsm gloss art paper as standard

Please find the related EPS and layout files attached to this PDF.

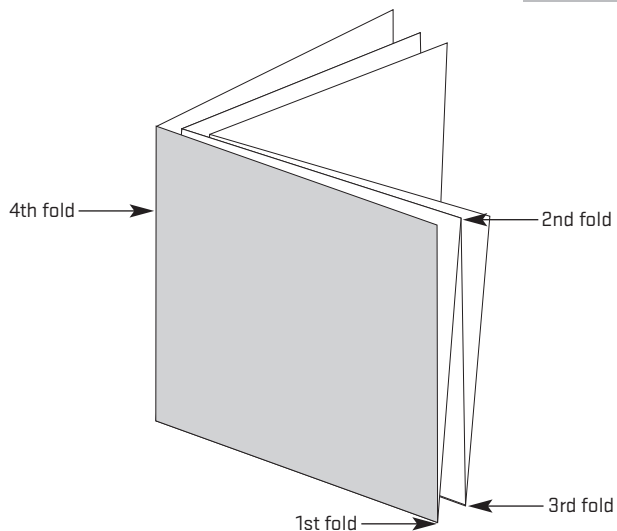
measurement input



scaling: 22 % • bleed: 3 mm

Folding layout

Front Panel



Printing Area

front printing

